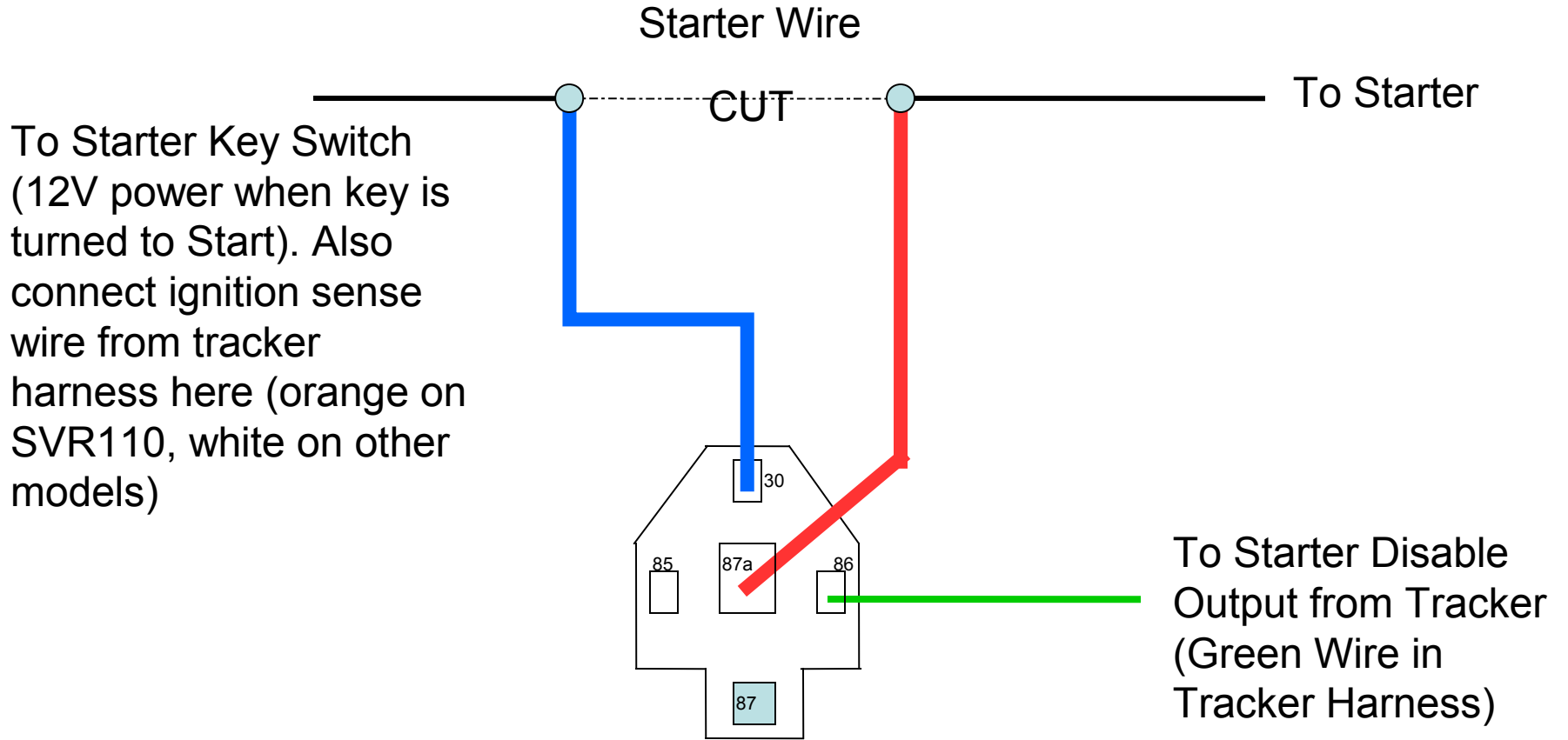


SID Wiring Diagram

Lower Power Consumption



SID Installation Procedure

1. With a Voltmeter, find the wire from the key that activates the starter.
2. This link may help you identify the correct wire for different vehicles
<http://www.commandocaralarms.com/wiringsearch.asp>
3. Cut the wire, and connect the Blue wire from the SID to the end which goes toward the key. It should show about 12V when the key is on Start, but 0V otherwise. Optionally, you can connect the Ignition sense wire from the tracker here (orange on SVR110, white on other models).
4. Connect the Red wire from the SID to the other cut end of the Ignition wire.
5. Connect the Green wire from the SID to the Green wire from the Tracker.

There are a number of videos and guides on the internet, but note that relays come with many different colors of wires. You should go by the position in the relay socket, not just the color of the wire.